

D4NS-SK/D4JL-SK



For full product information, visit www.sti.com. Use the SpeedSpec Code or scan the QR Code for quick access to the specific web page.

D4NS/D4JL-mounting Slide Key

- Safety-door switch attachments fit doors on aluminum frames as small as 20 mm² and frames that are large enough to enclose robotics
- Shortens the lead time for safety-door switch mounting design
- Enables applications in compliance with ANSI/RIA U.S. robot standards (excluding the D4NS-SK01)
- A Rapid Delivery Product: Select models are available for shipment today or within 3 to 5 days



Note: Safety-door switches are sold separately.

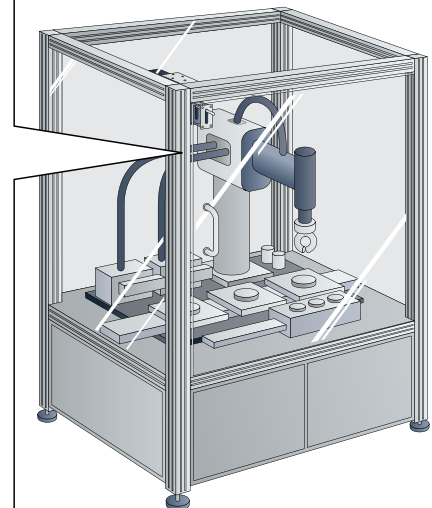
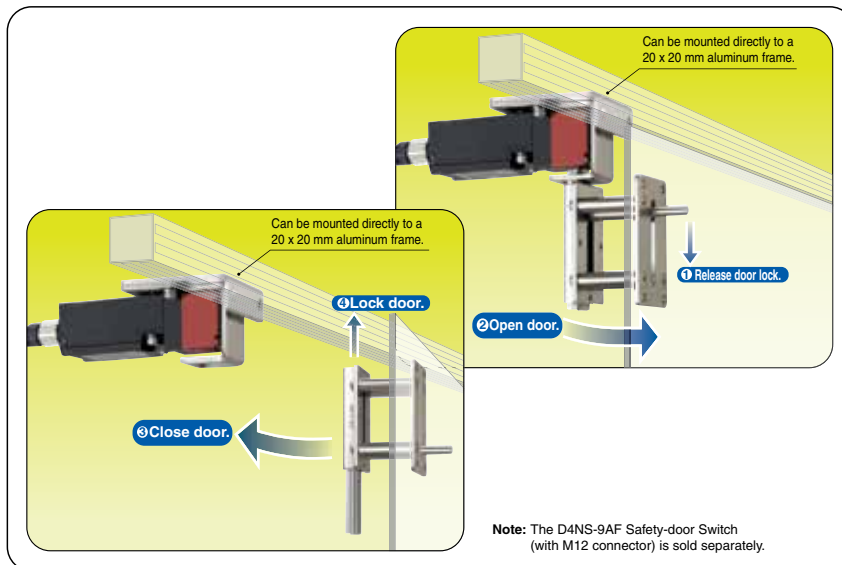
Configuration & Features

G

D4NS-SK01



Mounts directly to 20 x 20 mm aluminum frames



Note: Assess risk before implementing safety measures for the equipment.

Select models are available for Rapid Delivery.

Visit this product on www.sti.com for details.

Configuration & Features (continued)

D4NS-SK30



- The L-shaped key guard prevents the Key from being damaged, and helps to guide the Key in smoothly.
- When the door is opened, the key hole can be covered by the disable-prevention cover, and a padlock can be attached. The operator's safety is then assured because the door cannot be closed until the padlock is removed.

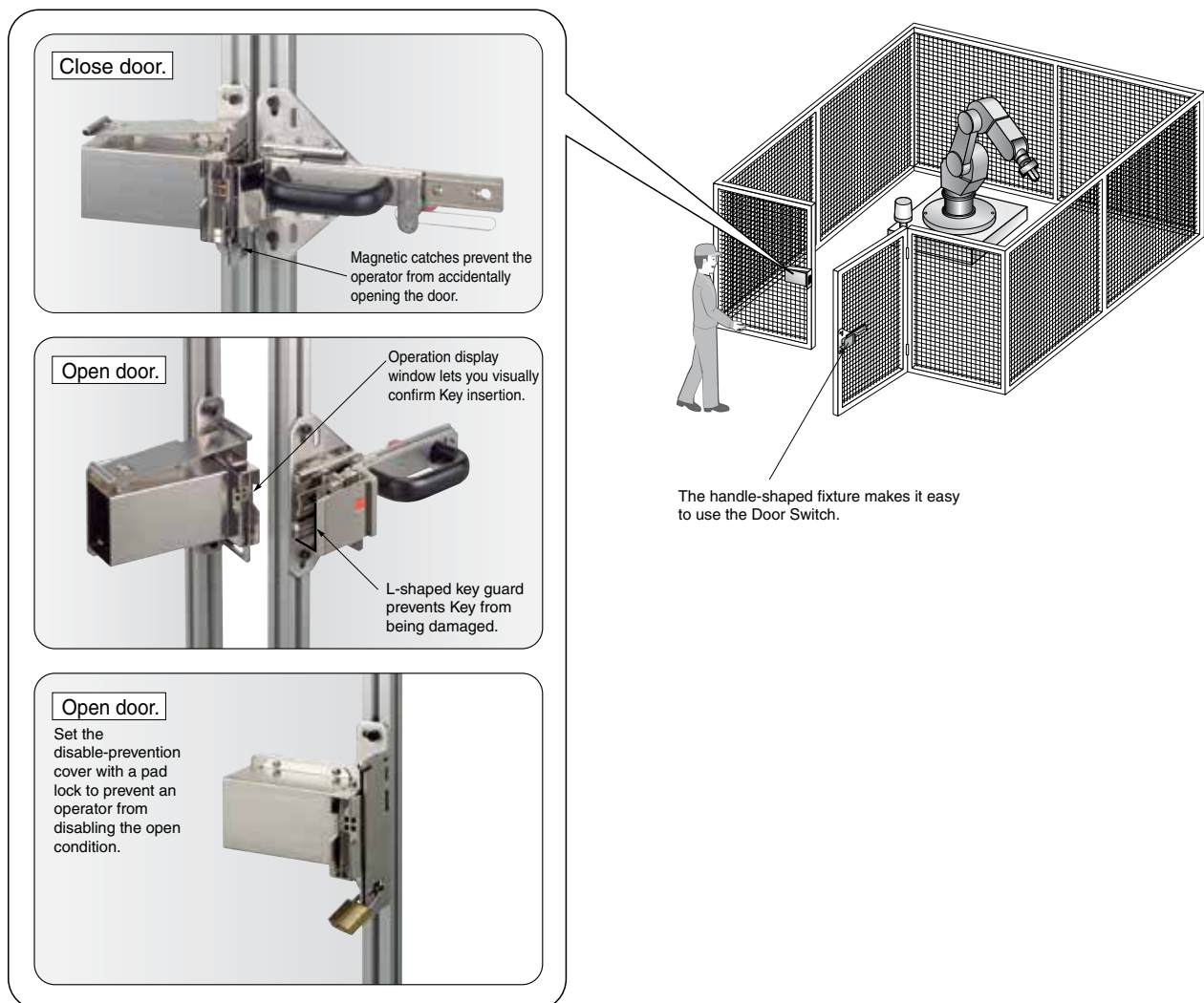
ANSI/RIA R15.06-1999 (R2009) 8.4 Protection of personnel within the safeguarded space

Personnel required to perform tasks within the safeguarded space shall be protected by:

- Preventing the re-initiation of any motion or hazardous process while personnel are within the safeguarded space, for example locking a gate open;

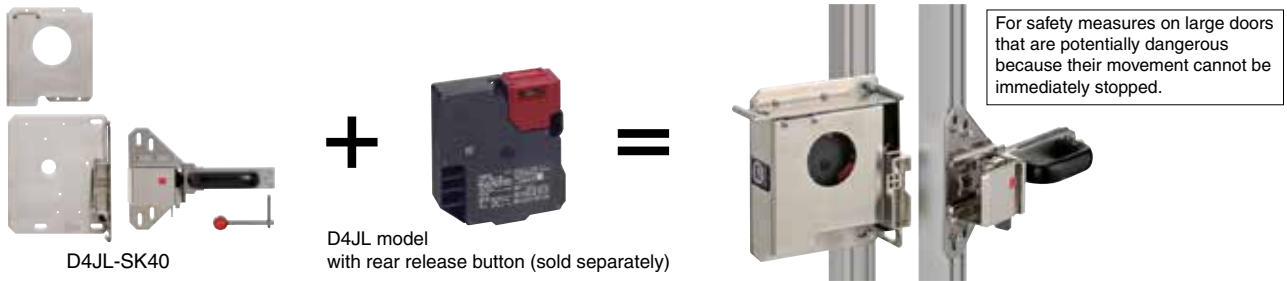
- The operation display window lets you visually confirm that the Key has been inserted.
- Magnetic catches prevent the door from opening if the operator accidentally bumps into it.

G



Configuration & Features (continued)

D4JL-SK40



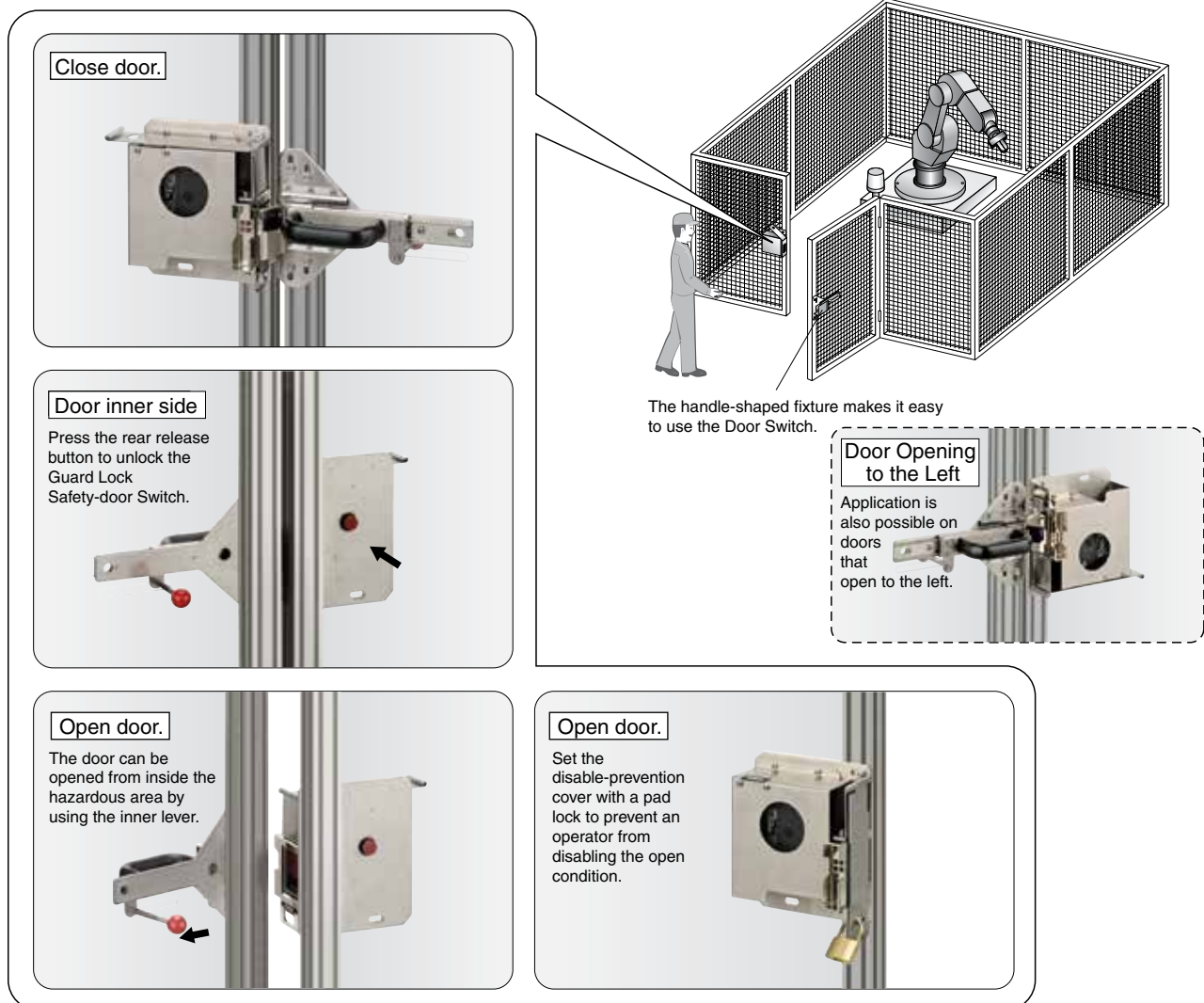
- Can be combined with the D4JL Guard Lock Safety-door Switch to prevent locked doors from being too easily opened.
- Even if an operator were to be trapped inside a hazardous area, the D4JL model with rear release button would allow the operator to unlock the door from the inside with the lever.

ANSI/RIA R15.06-1999 (R2009) 11.2.2 Interlocking portion

b) The interlocking portion of the interlocked barrier shall be installed, applied, and maintained so that:

- 8) Be capable of being easily unlocked from the inside of the safeguarded space with or without power available, when the possibility of full body access exists;

G

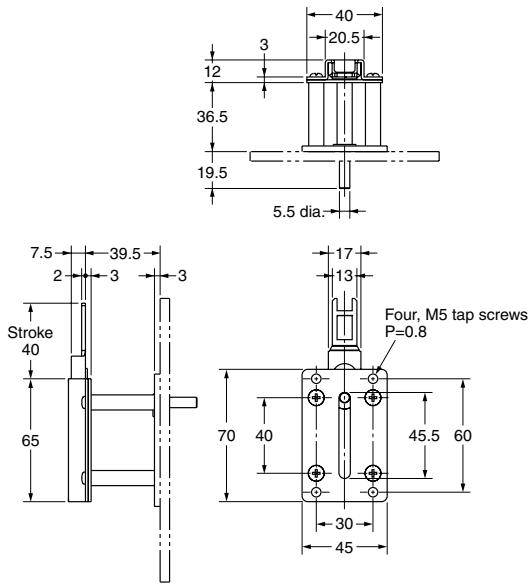


Dimensions

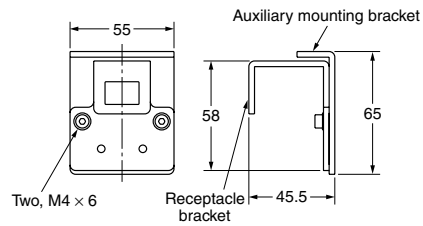
(mm)

D4NS-SK01

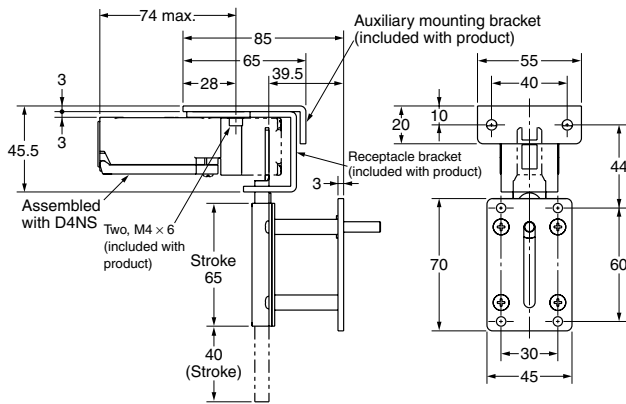
Slide Key



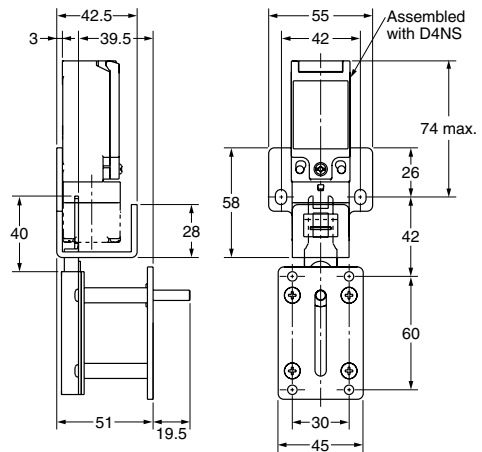
Auxiliary Mounting Bracket and Receptacle Bracket



Switch Mounting Pattern 1



Switch Mounting Pattern 2



Select models are available for Rapid Delivery.

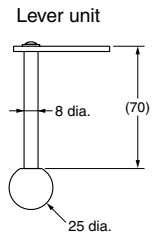
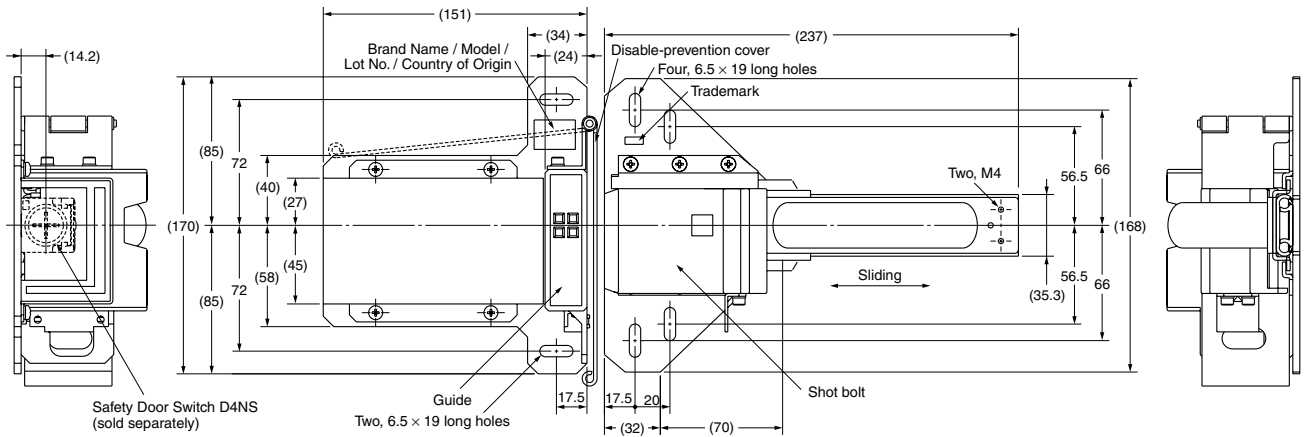
Visit this product on www.sti.com for details.

Dimensions (continued)

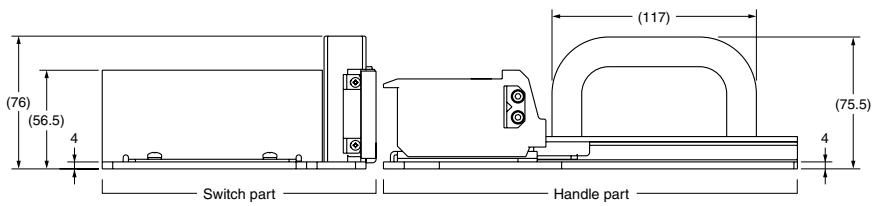
(mm)

D4NS-SK30

Open Door

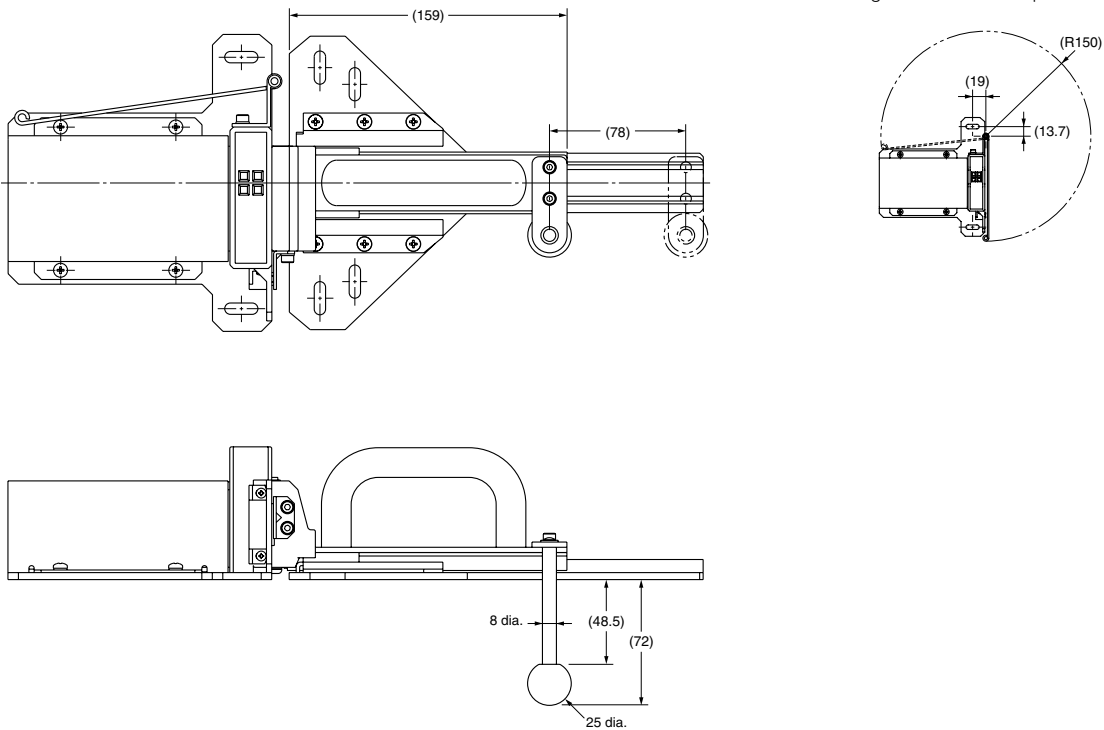


G



Closed Door

Turning radius of disable-prevention cover



 Select models are available for Rapid Delivery.

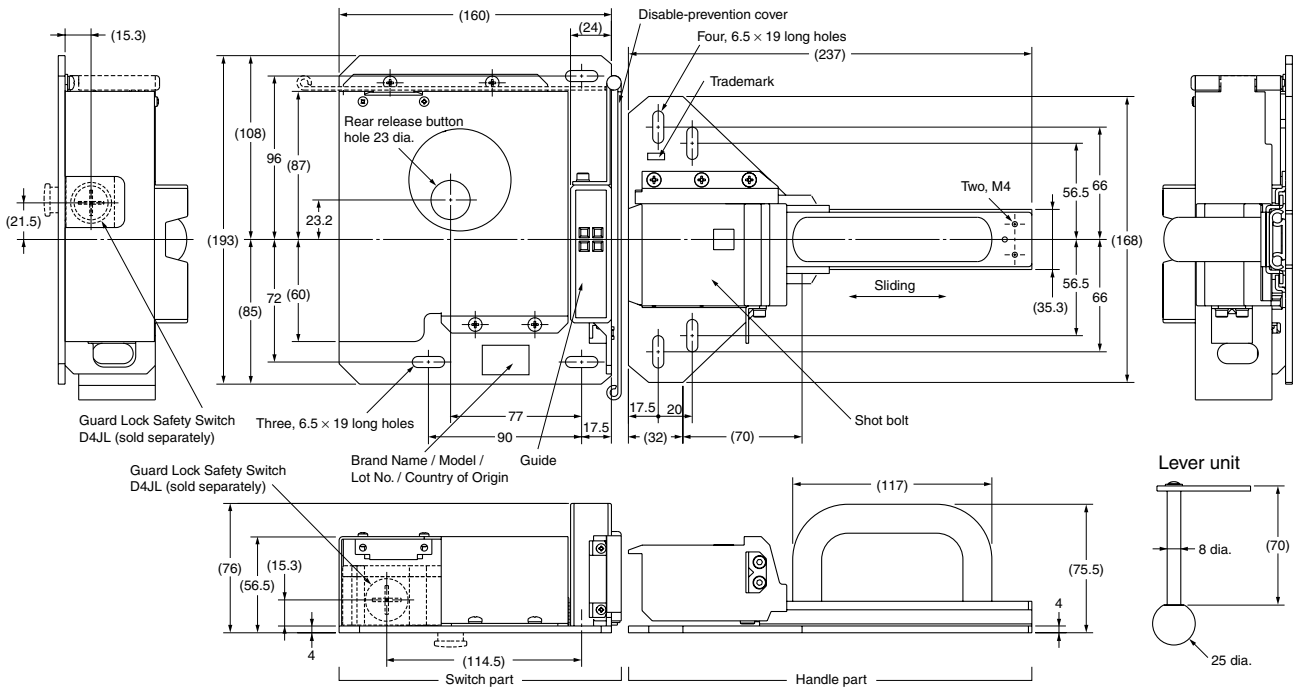
Visit this product on www.sti.com for details.

Dimensions (continued)

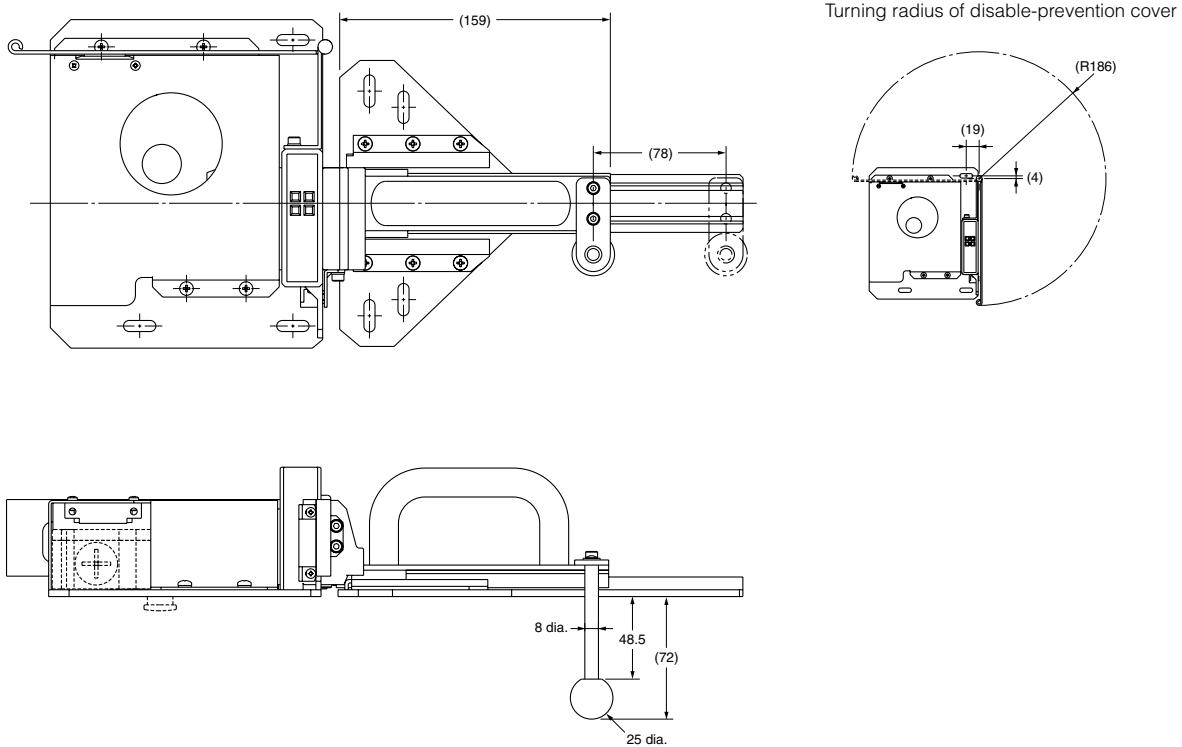
(mm)

D4JL-SK40

Open Door



Closed Door



 Select models are available for Rapid Delivery.

Visit this product on www.sti.com for details.



www.sti.com/info

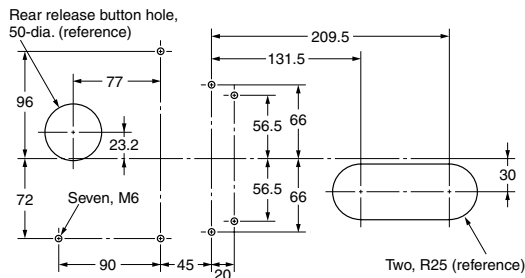


Dimensions (continued)

(mm)

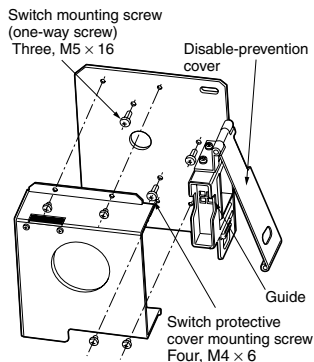
Mounting Holes

D4JL-SK40

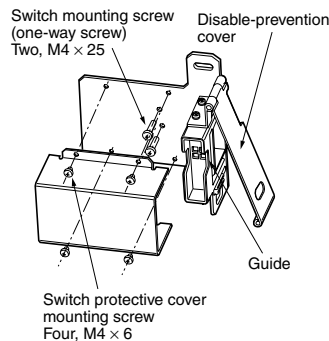


Assembly

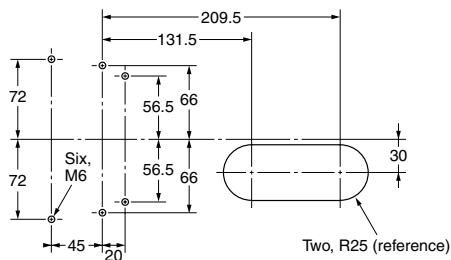
Switch Part D4JL-SK40



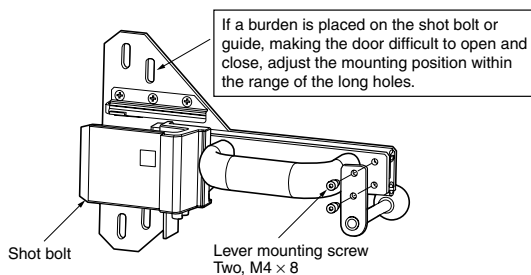
D4NS-SK30



D4NS-SK30



Handle Part D4JL-SK40/D4NS-SK30



G

Ordering

Appearance	Specifications	Contents	Model	Applicable Door Switch
	Weight: 422 g Mechanical durability: 20,000 operations min.	Slide Key: 1 Auxiliary mounting bracket: 1 Receptacle bracket: 1	D4NS-SK01	D4NS 1-conduit type
	Weight: 2,800 g Mechanical durability: 20,000 operations min.	Slide Key: 1 D4NS mounting tool: 1 Inner lever: 1 Inner lever mounting screws: 2 Door Switch mounting one-way screws: 2 Switch protective cover: 1 Switch protective cover screws: 4 Disable-prevention cover (already mounted on Slide Key): 1	D4NS-SK30	D4NS 1-conduit type
	Weight: 3,400 g Mechanical durability: 20,000 operations min.	Slide Key: 1 D4JL mounting tool: 1 Inner lever: 1 Inner lever mounting screws: 2 Door Switch mounting one-way screws: 3 Switch protective cover: 1 Switch protective cover screws: 4 Disable-prevention cover (already mounted on Slide Key): 1	D4JL-SK40	D4JL-□□F□-□6 rear release button type

Select models are available for Rapid Delivery.

Visit this product on www.sti.com for details.

For information on the D4NS, see page G146.

For information on the D4JL, see page G6.